

KARIBAN

REFERENCE : K603

NAME :

SIZES : S_M_L_XL_XXL_3XL_4XL

COMPOSITION :

Main fabric : Polyamide 65 For body and sleeve
100%polyamide
Lining 2 : Lining 210T For sleeve and body lining and inner pocket sack. 100%polyester
Padding : Polyfil 120 For inner body and sleeve
100%polyester

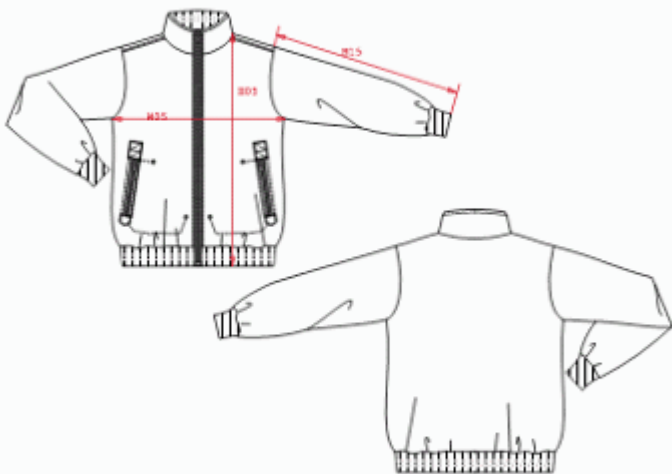
WEIGHT :

Main fabric : 65 gsm
Lining 2 : 60 gsm
Padding : 120 gsm

COLORS	PANTONE SERIGRAPHIE
Black / White	Black / White
Red / White	186C / White
Navy / White	2965C / White
Light royal blue/ White	301C / White

DESCRIPTION

Français : Blouson matelassé homme
English : Men's padded blouson jacket
Nederlands : Heren jas
Deutsch : Gepolsterte herren jacke
Español : Bluson acolchado
Italiano : Bomber giacca imbottita uomo
Português : Blusão acolchoado



MEASUREMENT

Description	S	M	L	XL	XXL	3XL	4XL	5XL	6XL
H05 Hauteur totale avec BC / Total height with rib	69	71	73	75	77	79	81,75		
W05 1/2 largeur poitrine / 1/2 chest width	57	60	63	66	69	72	76		
H15 Longueur manche avec BC / Sleeve length with rib	65	67	69	71	73	75	78,25		

PACKING

Box	10 pcs / box S-L => L:65cm W:43cm H:40cm GW:7.00kg NW:6.00kg XL-XXL => L:70cm W:45cm H:42cm GW:8.50kg NW:7.50kg 3XL-4XL => L:78cm W:47cm H:44cm GW:10.00kg NW:9.00kg
-----	--

CARE LABEL

